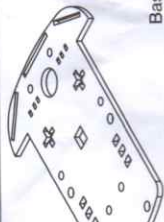


ZK-2WD



底座 1片  
Base Board 1 Piece



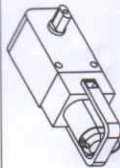
轮子 2个  
Wheel 2 Pieces



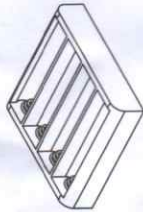
测速码盘 2片  
Encoder Disc 2 Pieces



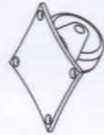
资料扫描二维码下载  
密码:e8rb



减速直流电机 2个  
Deceleration DC motor 2 Pieces



4节5号电池盒 1只  
Battery container 1 piece



万向轮 1只  
Hammer caster 1 piece



M3\*30螺丝 4支  
M3\*30 Screw 4 bars



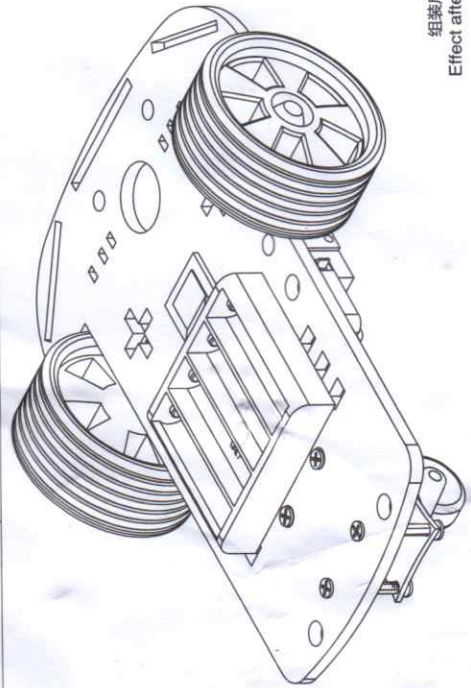
船形开关 1只  
Switch 1 Piece



M3\*6螺丝 8只  
M3\*6 Screw 8 bars

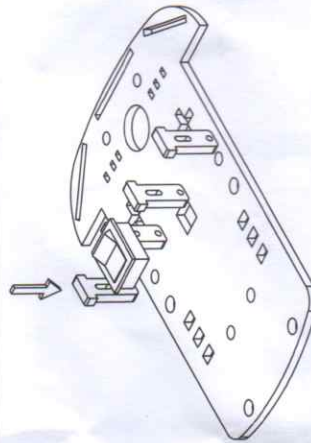


L12铜柱 4支  
L12 Spacer 4 bars



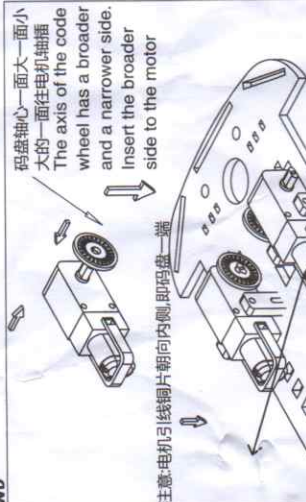
组装后的效果图  
Effect after installation

ZK-2WD



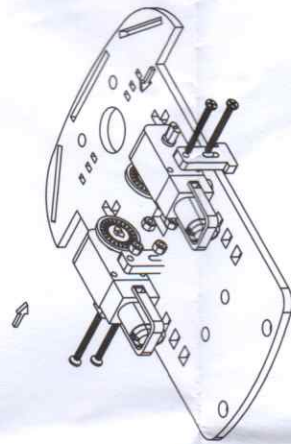
Step1:先把小车底板、紧固件、码盘的黄色保护纸撕掉,然后把紧固件插入小车底板

Step1: Insert the fastener into the chassis after tearing off the yellow protection wrap of the chassis, the fastener and the code wheel.



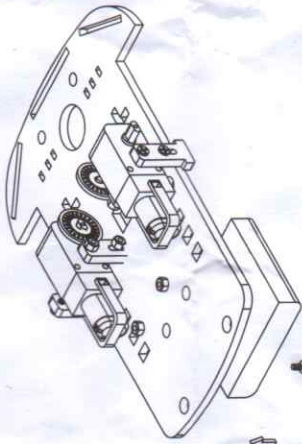
Step2:安装码盘,并把电机固定在底板

Step2: Install the code wheel and fix the motor to the chassis. (Attention, the copper sheet of the leading wire of the motor should face inside, the same side of the encoder)



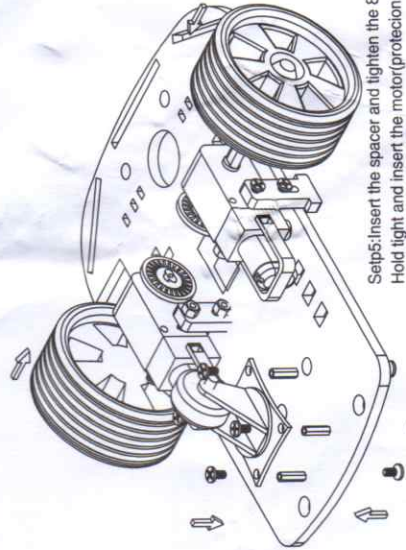
Step3:插入螺丝,把电机固定到小车底板,并拧上螺帽

Step3: Fix the motor to the chassis, then insert and tighten the screws.



Step4:插入螺丝,固定电池盒

Step4: Insert the screws and fix the battery container



Step5:插入铜柱,拧进8个螺丝固定万向轮,并往里面插入轮子,组装完成

Step5: Insert the spacer and tighten the 8 screws to fix the hammer caster. Hold tight and insert the motor (protection fastener) to the wheel. Installation completed.